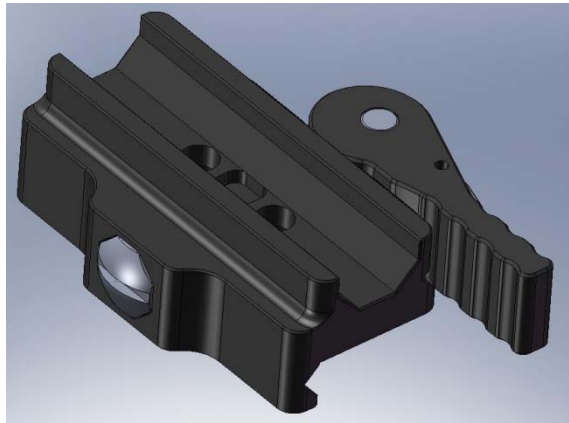


AMERICAN DEFENSE MFG.

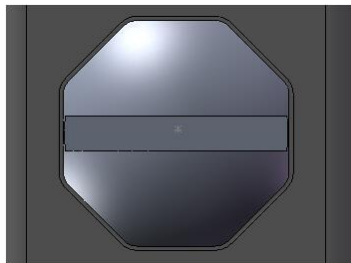
OPERATING INSTRUCTIONS FOR QD AUTO LOCK SYSTEM

NO TOOLS ARE REQUIRED FOR AUTO LOCK ADJUSTMENT

1. Before attempting to install your ADM mount please make sure your firearm is unloaded and the muzzle is pointed in a safe direction.
2. Please repeat number 1.
3. Please take the time to look over your ADM mount and become familiar with its components.



4. Unlock the mount. To do this depress the lock button and move the lever 180 degrees to the open position.
5. Install the assembly onto the rail and move the lever to the locked position.
6. Check the tension to close. The correct amount of tension is the maximum amount you apply with your hand to move the lever to a closed position. A little judgment and personal preference is needed here. Please remember this system has a lot more surface contact than the completion so you may not need to push the lever as hard to achieve the same result.



7. To set the tension, move the lever to the open position and push the lever in towards the base. This will make the adjustment nut protrude on the opposite side of the base. With the nut protruding the nut may be turned to the right or left to make the necessary adjustment. We recommend tightening one to two flats per time (there are eight flats on the nut). This may take a few tries to get it where you want it. You will need NO tools for this step although you can use them if you want it is up to you.
8. Please torque all ring screws to 20-25 in/lbs max.